

Ultravimec™

Panel sealed • navigational solution •
low total height



DISTINCTIVE FEATURES

Compact navigational solution

h=7.15 mm

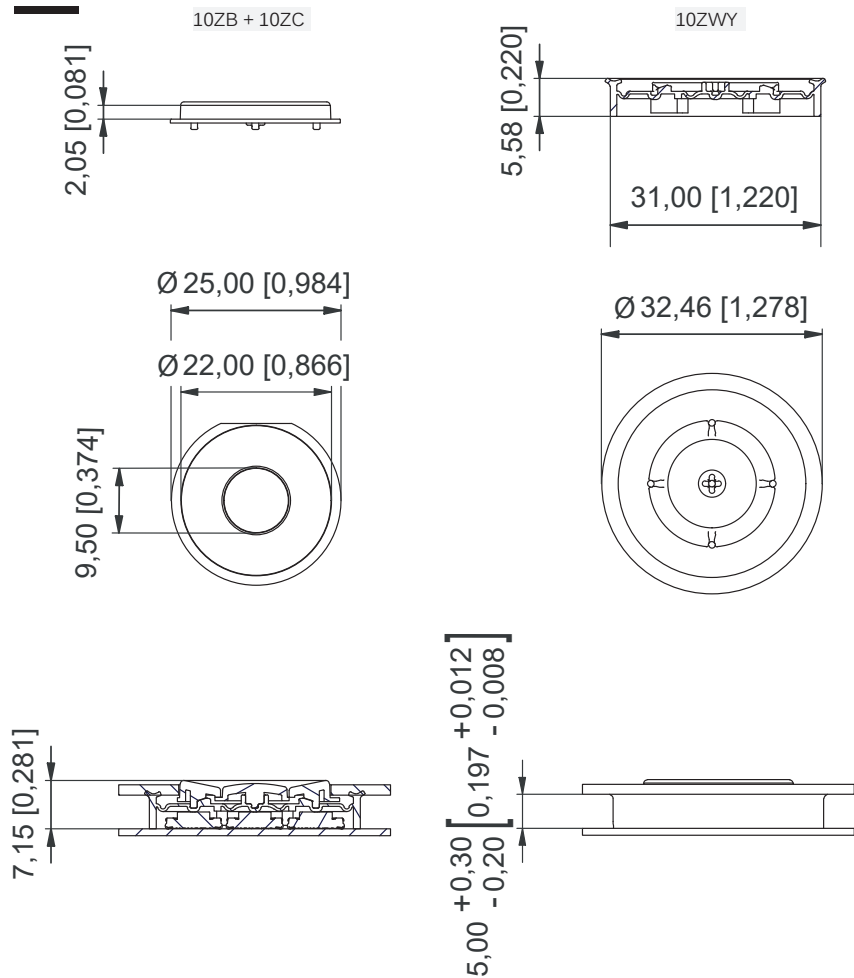
Panel sealed to IP67

Excellent illumination with LEDs on the PCB



SWITCH SPECIFICATIONS : see Ultramec™ series

6C+10ZB + 10ZC + 10ZWY -
J-BEND



Ultravimec™

Panel sealed • navigational solution • low total height



GENERAL SPECIFICATIONS

- Front panel sealing: IP67 to IEC 60529
- Mechanical lifecycle (sealing) : 500,000 activations
- Recommended panel thickness: 1.0 mm

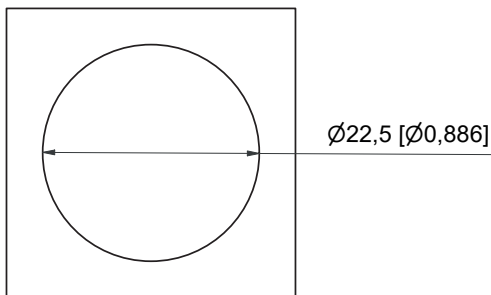


MATERIALS

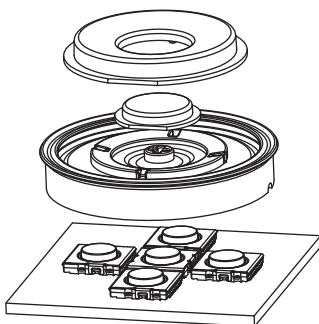
- Sealing: silicone
- Non-illuminated cap: ABS
- Illuminated cap: polycarbonate (PC)



PANEL CUT-OUT

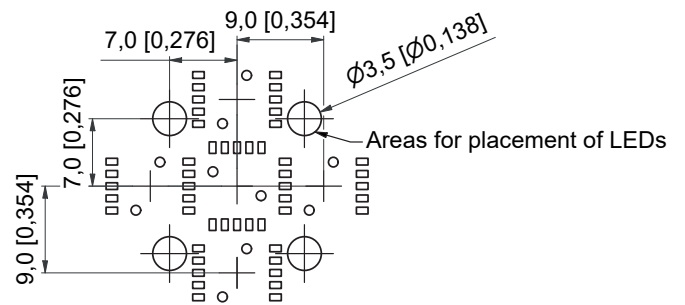


ASSEMBLY

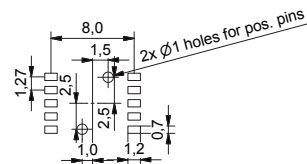


PCB LAYOUT

ULTRANAVIMEC SOLUTION



ULTRAMEC 6C SWITCH



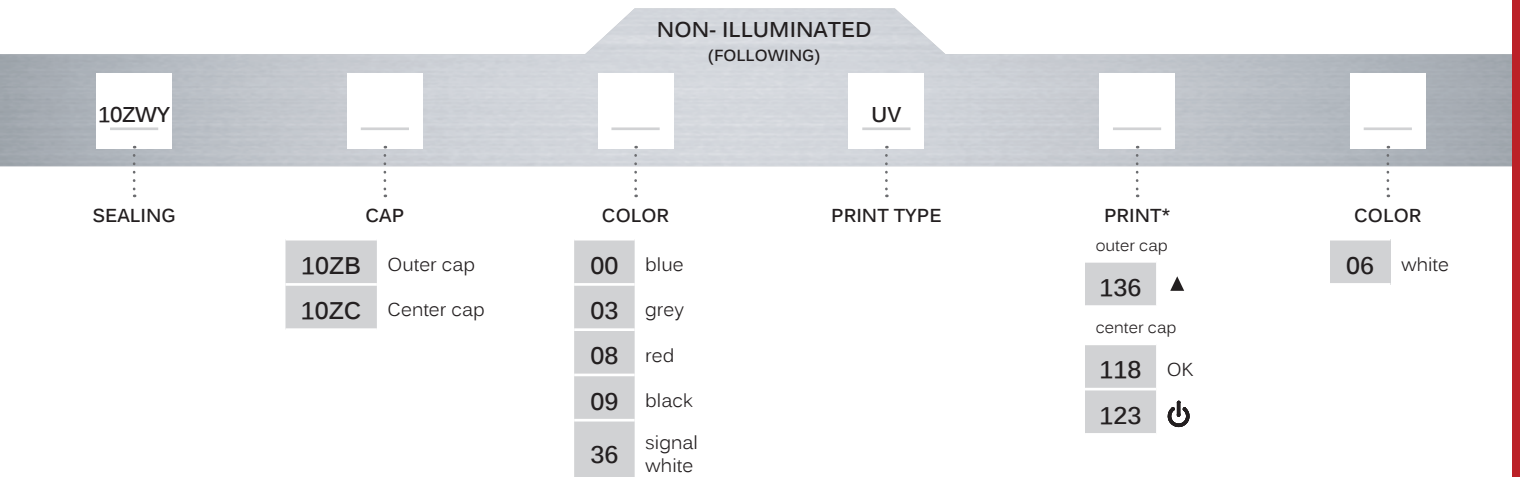
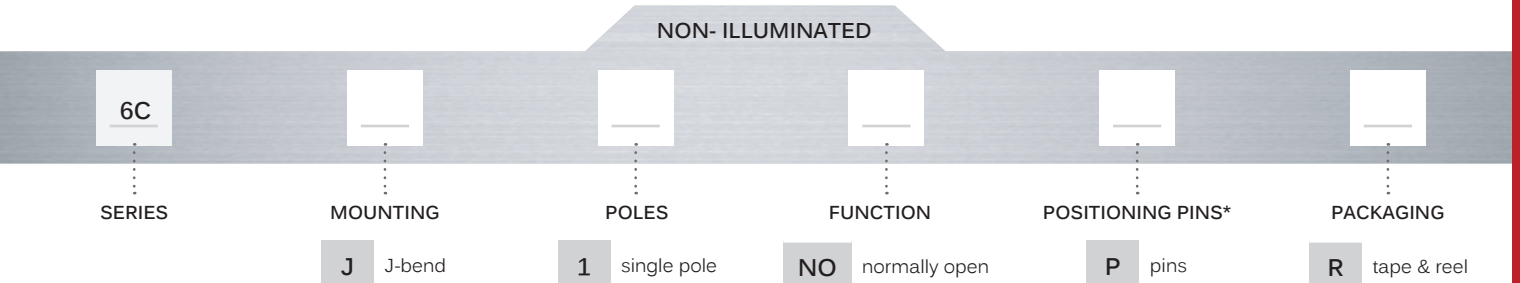
LEGENDS

Please note that anti-rotation is established with the Cross or inserts in the bottom of the caps that insert into the sealing.

The cut-outs are for production purpose and they will be used to indicate the direction of the legend. In case of the standard printed legends the cut-out is placed left from the legend.



BUILD YOUR PART NUMBER



*optional

NOTICE: Please note that not all combinations are standard. Contact APEM for further info. Please note that the switches, caps and sealing are ordered separately.

Ultravimec™

Panel sealed • navigational solution • low total height



BUILD YOUR PART NUMBER

ILLUMINATED

6C

SERIES

MOUNTING

J J-bend

POLES

1 single pole

FUNCTION

NO normally open

POSITIONING PINS*

P pins

PACKAGING

R tape & reel

ILLUMINATED
(FOLLOWING)

10ZWY

SEALING

CAP

10ZB Outer cap
10ZC Center cap

COLOR

16 frosted white

PRINT TYPE

LMH hard paint laser marked

PRINT*

outer cap
136 ▲
center cap
118 OK
123 ⏻

COLOR

09 black

*optional

NOTICE: Please note that not all combinations are standard. Contact APEM for further info. Please note that the switches, caps and sealing are ordered separately.